

LOOKOUT_VTOL - LITE™

MODEL No: TALV2400_C

VARIANT: MAPPER SERIES

The professional grade Unmanned Aerial System

"India's First DGCA Approved RPAS"th
Approval Ref No: 27046/72/2019-AED, Dated: 19 June, 2019)



Highlights

- Approved by DGCA
- Approved by WPC
- NPNT Software Approved
- No Pilot License required
- UIN & UAOP Assured
- TAS_GCS Software, Life time license with NPNT Module
- Comes with Fire redundant UIN plate
- Cost effective tool for GIS professionals
- Designed for maximum area coverage
- Micro, less than 2kgs overall weight, compiles with DGCA regulations
- Best & first in class features
- 20.1MP professional RGB survey grade sensor
- Based on proven Lookout VTOL MS platform
- Portable

Application



Topographical Survey & 3D Models



Mining & Aggregates

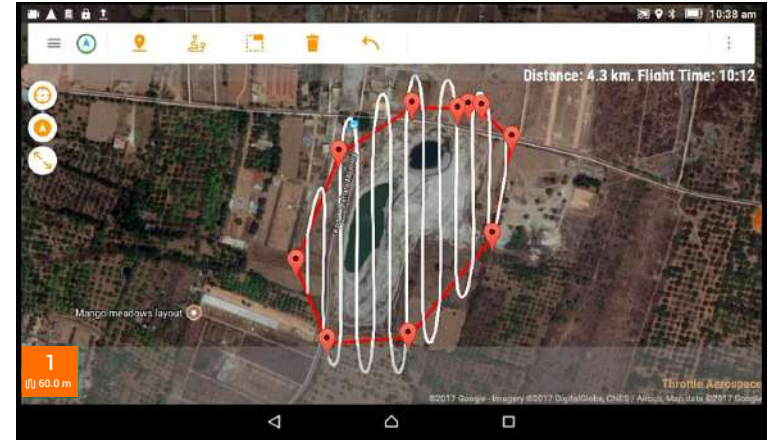


Precision Agriculture



Utility Inspection & Management

Intuitive Flight Planning Software



Select your preferred area of interest from background map. This automatically creates optimized way points.

TAS GCS is equipped with algorithms that adjust the flight plan according to the on-board camera sensor, flight altitude, side laps and overlaps required.

Live telemetry data gives the current flight attitudes and other required parameters.

Sensor Options



20.1MP RGB visible light survey grade camera with choice of 16mm & 20 mm FF lens

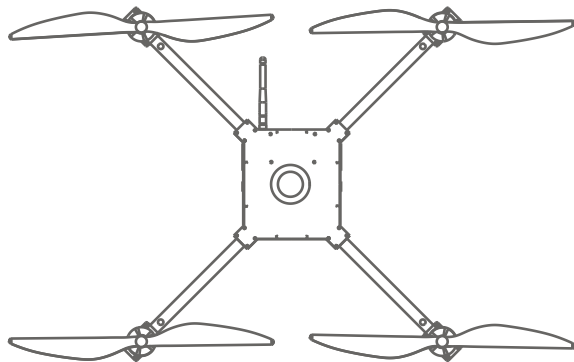
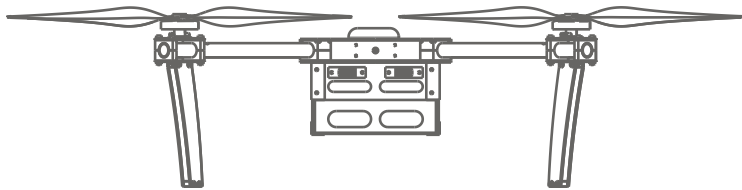
Revolutionary multi spectral camera with 4 or more discrete spectral bands



Industry leading thermal imagery with various lens options

Technical Specification

Model: TALV2400_C
DGCA Approval No: 27046/72/2019-AED
ETA Approval No: SR-ETA/20199785



RPA Details

- | | |
|---------------------------------------|---|
| • RPA category | Micro category |
| • RPA Type | Quad copter |
| • Max all up weight including payload | 2kg approx. |
| • Overall Dimension (mm)(l×b×h) | 900*900*300mm |
| • Compatible payload | Fixed 20.1mp RGB/Multispectral*/ IR camera* |

Power Plant Details

- | | |
|----------------------|------------------|
| • Engine/Motor | BLDC Motor |
| • No of Motors | 4 Nos |
| • Battery capacity | 5000 mAh |
| • Propellers details | 15-inch Diameter |

Equipment Details

- | | |
|---|-----|
| • GNSS | Yes |
| • Autonomous Flight Termination System or RTH | Yes |
| • Flashing anti-collision strobe light | Yes |
| • NPNT Compliant | Yes |
| • Flight controller with flight data logging capability | Yes |
| • Barometric equipment (with capability for remote sub-scale setting) | Yes |
| • Geo fencing capability | Yes |

Remote Pilot Station

- | | |
|--------------------------|---------------------|
| • Ground control station | Tablet based |
| • GCS app version | Lookout_VGCS_v1-0.1 |

C2 Link

- | | |
|--------------------|----------------------------|
| • Equipment detail | 2.4 GHz (FHSS) transceiver |
|--------------------|----------------------------|

Performance details

- | | |
|-----------------------------------|---|
| • Max Endurance | 25 – 30 Mins |
| • Max Range | 8 km |
| • Max Speed | 10 m/s |
| • Max Height / Max ceiling height | 400 ft |
| • Operating Altitude (ft) | 200 ft (restricted by geofencing from firmware) |
| • Operating Envelope | VLOS flight only |

Reasons to choose LOOKOUT_VTOL - LITE™



Approved
100% Legal



No piloting skills required,
Fully Autonomous



Best in class
Endurance, Payload



Optimized for
Large area coverage



Intuitive
Tablet GUI flight planning software



Resolution down to 2.4 cm/px
Horizontal, Vertical accuracy of 2 - 5 cms, 5 - 10 cms



Seamless
After sales & customer support

Throttle Aerospace Systems Pvt Ltd

#659, 1st Floor, MVS Arcade, 5th Main Road, OMBR

Layout, B Channasandra, Bangalore-43, India

Telephone: :+91-80-88746274

Email: contact@throttleaerospace.com

www.throttleaerospace.com

in f 



Receivers OEM7700™



MULTI-FREQUENCY GNSS RECEIVER DELIVERS ROBUST POSITIONING AND SIMPLIFIES INTEGRATION

HIGH PRECISION GNSS

The multi-frequency OEM7700 offers future ready precise positioning for space constrained applications. Advanced interference mitigation features maintain high performance in challenging environments. With a variety of interface options to facilitate system integration, the OEM7700 provides the most efficient way to bring powerful Global Navigation Satellite System (GNSS) capable products to market quickly. With centimetre level positioning utilizing TerraStar satellite-delivered correction services, the OEM7700 ensures globally available, high performance positioning without the need for expensive network infrastructure. Anywhere. Anytime.

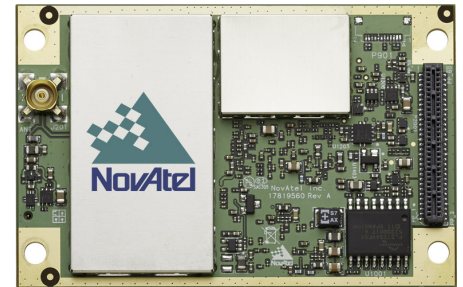
BUILT-IN FLEXIBILITY

The OEM7700 uses a 555 channel architecture and can be configured in multiple ways for maximum flexibility. NovAtel's OEM7® firmware provides users with the ability to configure the OEM7700 for their unique application needs. The OEM7700 is scalable to offer sub-metre to centimetre level positioning, and is field upgradable to all OEM7 family software options. These options include ALIGN® for precise heading and relative positioning, GLIDE® for decimetre level pass-to-pass accuracy and SPAN® GNSS+INS for continuous 3D position, velocity and attitude. NovAtel CORRECT™ with RTK delivers centimetre level real-time positioning, or go base-free for centimetre and decimetre PPP solutions using TerraStar corrections.

To learn more about how our firmware solutions can enhance your positioning, please visit novatel.com/products/firmware-options.

DESIGNED WITH THE FUTURE IN MIND

The OEM7700 is capable of tracking all current and upcoming GNSS constellations including GPS, GLONASS, Galileo, BeiDou, QZSS and NavIC. It is software upgradable to track upcoming signals as they become available.



FEATURES

- + 555 channel, all-constellation, multi-frequency positioning solution
- + Multi-channel L-Band supports TerraStar correction services
- + Serial, USB, CAN and Ethernet connectivity with Web interface
- + Advanced interference visualization and mitigation features
- + RTK, GLIDE and STEADYLINE® firmware options
- + Simple to integrate, small form factor with 20 g vibration performance rating
- + SPAN GNSS+INS functionality

If you require more information about our receivers, visit novatel.com/oem7

OEM7700



PERFORMANCE¹

Channel Count

555 Channels

Signal Tracking

GPS L1 C/A, L1C, L2C, L2P, L5
GLONASS² L1 C/A, L2 C/A, L2P,
L3, L5

BeiDou³ B1, B2, B3
Galileo⁴ E1, E5 AltBOC,
E5a, E5b, E6

NavIC (IRNSS) L5
SBAS L1, L5
QZSS L1 C/A, L1C, L2C, L5, L6
L-Band up to 5 channels

Horizontal Position Accuracy (RMS)

Single Point L1 1.5 m
Single Point L1/L2 1.2 m
NovAtel CORRECT
» SBAS⁵ 60 cm
» DGPS 40 cm
» PPP⁶
TerraStar-L 40 cm
TerraStar-C 4 cm
» RTK 1 cm + 1 ppm
Initialization time < 10 s
Initialization reliability > 99.9%

Maximum Data Rate

Measurements up to 100 Hz
Position up to 100 Hz

Time to First Fix

Cold start^{7, 13} < 40 s (typical)
Hot start^{8, 13} < 19 s (typical)

Signal Reacquisition

L1 < 0.5 s (typical)
L2 < 1.0 s (typical)

Time Accuracy⁹ 20 ns RMS

Velocity Accuracy

< 0.03 m/s RMS

Velocity Limit¹⁰ 515 m/s

PHYSICAL AND ELECTRICAL

Dimensions 46 × 71 × 8 mm

Weight 31 g

Power

Input voltage +3.3 VDC ±5%

Power Consumption¹¹

GPS L1 0.9 W (typical)
GPS/GLONASS L1/L2
1.3 W (typical)

All frequencies/All constellations
with L-Band 1.8 W (typical)

Antenna Port Power Output

Output voltage 5.0 VDC ±5%
Maximum current 200 mA

Connectors

Main 60-pin dual row female socket
Antenna Input MMBX female

COMMUNICATION PORTS

5 LVCMOS up to 460,800 bps
2 CAN Bus 1 Mbps
1 USB 2.0 (device) HS
1 USB 2.0 (host) HS
1 Ethernet 10/100 Mbps

ENVIRONMENTAL

Temperature

Operating -40°C to +85°C
Storage -55°C to +95°C

Humidity 95% non-condensing

Vibration

Random¹² MIL-STD-810G
Method 514.7 (Cat 24, 20 g RMS)
Sinusoidal IEC 60068-2-6

Bump ISO 9022-31-06 (25 g)

Shock

Operating MIL-STD-810G (40 g)
Non-operating MIL-STD-810G,
Method 516.7 (75 g)-Survival

Acceleration

Operating MIL-STD 810G,
Method 513.7 (16 g)

FEATURES

- Field upgradeable software
- Differential GPS positioning
- Differential correction support for RTCM 2.1, 2.3, 3.0, 3.1, 3.2, 3.3, CMR, CMR+, RTCA and NOVATELX
- Navigation output support for NMEA 0183 and detailed NovAtel ASCII and binary logs
- Receiver Autonomous Integrity Monitoring (RAIM)
- GLIDE and STEADYLINE smoothing algorithms
- Interference Toolkit
- Web GUI
- Outputs to drive external LEDs
- 4 Event inputs
- 4 Event outputs
- Pulse Per Second (PPS) output

FIRMWARE SOLUTIONS

- ALIGN
- SPAN
- RTK
- RTK ASSIST™
- TerraStar PPP
- API¹³

OPTIONAL ACCESSORIES

- VEXXIS® GNSS-500 and GNSS-800 series antennas
- ANT series antennas
- Mechanical mounting rails
- OEM7 Development Kit

For the most recent details of this product: novatel.com/oem7

novatel.com

sales@novatel.com

1-800-NOVATEL (U.S. and Canada) or 403-295-4900

China 0086-21-68882300

Europe 44-1993-848-736

SE Asia and Australia

61-400-883-601

Version 2 Specifications subject to change without notice

©2017 NovAtel Inc. All rights reserved.

NovAtel, OEM7, SPAN, VEXXIS, ALIGN, GLIDE and STEADYLINE are registered trademarks of NovAtel Inc.

OEM7700, RTK ASSIST and NovAtel CORRECT are trademarks of NovAtel Inc.

Printed in Canada.

D21155 August 2017



¹ Typical values. Performance specifications subject to GNSS system characteristics, Signal-In-Space (SIS) operational degradation, ionospheric and tropospheric conditions, satellite geometry, baseline length, multipath effects and the presence of intentional or unintentional interference sources.

² Hardware ready for L3 and L5.

³ Designed for BeiDou Phase 2 and 3, B1 and B2 compatibility. B3 conditionally supported and subject to change.

⁴ E1bc support only. Hardware ready for E6bc.

⁵ GPS only.

⁶ Requires subscription to TerraStar data service. Subscriptions available from NovAtel.

⁷ Typical value. No almanac or ephemerides and no approximate position or time.

⁸ Typical value. Almanac and recent ephemerides saved and approximate position and time entered.

⁹ Time accuracy does not include biases due to RF or antenna delay.

¹⁰ Export licensing restricts operation to a maximum of 515 metres per second, message output impacted above 500 m/s.

¹¹ Typical values using serial port communication without interference mitigation and Ethernet disabled. Consult the OEM7 User Documentation for power supply considerations.

¹² Requires mechanical mounting rails to meet 20 g; meets 7.7 g without rails.

¹³ Available in Q1 2018